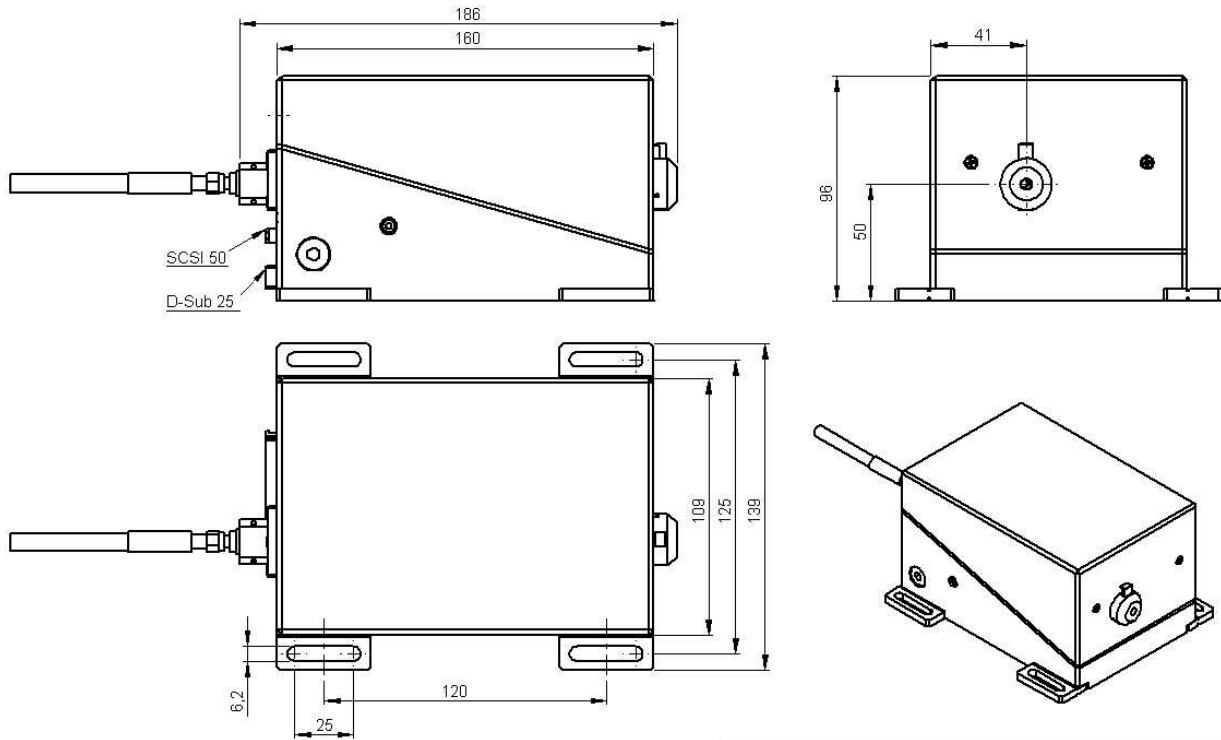


<b>Specification for the Symphony<sup>®</sup> 532 nm Laser</b>	
<b>Output beam parameters:</b>	
Output wavelength	532 nm
Rated output power (CW)	500, 1000 & 1500mW
Output beam diameter	0.5 mm (+/- 0.2) @ 10mm 1/e <sup>2</sup>
Transverse mode structure	TEM <sub>00</sub> , M <sup>2</sup> < 1.05
Divergence	<1mrad ½ angle
Beam pointing stability	≤ 10 µrad / °C
Longitudinal mode structure	SLM (Single frequency), <1MHz line width
Polarisation	Vertical
Polarisation ratio	≥ 100 : 1
Output power noise (p-p)	≤ 2 % (10 Hz - 10 MHz)
Output power noise (rms)	≤ 0.3 % (10 Hz - 10 MHz)
Output power stability	≤ 2 % (4 hours)
<b>Design 01_07_0035</b>	
Thermal management	TEC conductive cooling through customer's metal heat sink plate
Operating temperatures (base plate)	15 - 35 °C
Storage temperatures	10 - 50 °C
Laser head size (L x W x H)	186 x 139 x 96 mm
Laser head weight	2540 g
<b>Controller 04_02_01</b>	
Dimensions (LxWxH)	225 x 246 x 110 mm
Weight	2960 g
<b>Accessories</b>	
Power adapter	EN60 320-1 Standard Sheet C14 Class I Cold Condition (Fused) Voltage: 80 - 264 VAC, 47 - 400 Hz
Cables	Included
Weight	1200 g

CW operation, turnkey system, output power fixed, completely aligned and sealed at production, no further alignment needed by user. Specification may be subject to some change without notice.

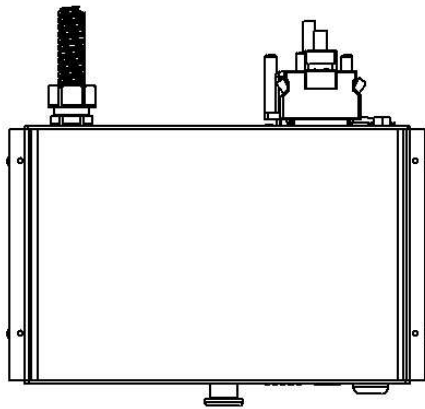
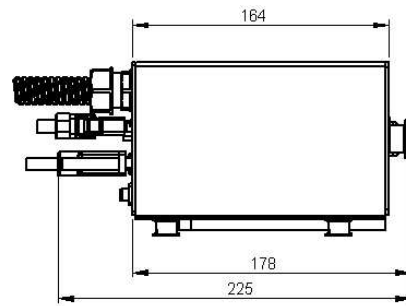
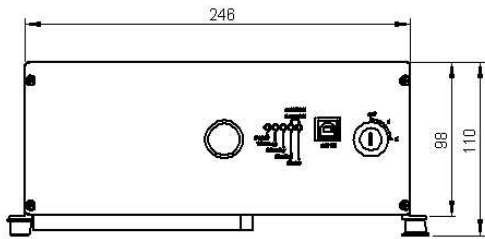
Schutzvermerk ISO 16016 beachten / Refer to protection notice ISO 16016

Schutzvermerk ISO 16016 beachten / Refer to protection notice ISO 16016



<b>KLASTECH GmbH</b> Friedenstr. 41-43, 44139 Dortmund, Germany www.klastech.com	
GENERAL TOLERANCES ISO 2768 - M	DESCRIPTION Symphony_532-1000_v06
ALL DIMENSIONS IN (mm)	DRAWING NUMBER 01_07_0035
	SCALE: 1:2
	PAGE 1 of 1

Schutzvermerk ISO 16016 beachten / Refer to protection notice ISO 16016



Schutzvermerk ISO 16016 beachten / Refer to protection notice ISO 16016

<b>KLASTECH GmbH</b> Friedenstr. 41-43, 44139 Dortmund, Germany www.klastech.com		
GENERAL TOLERANCES ISO 2768 - FH	DESCRIPTION Controller_10A	
ALL DETAILS IN (mm) 	DRAWING NUMBER 04_02_01	A4
	SCALE: 1 : 3	PAGE 1 of 1