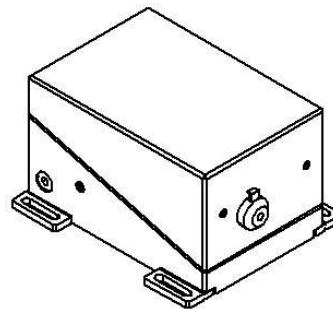
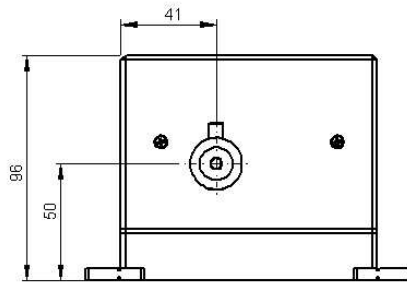
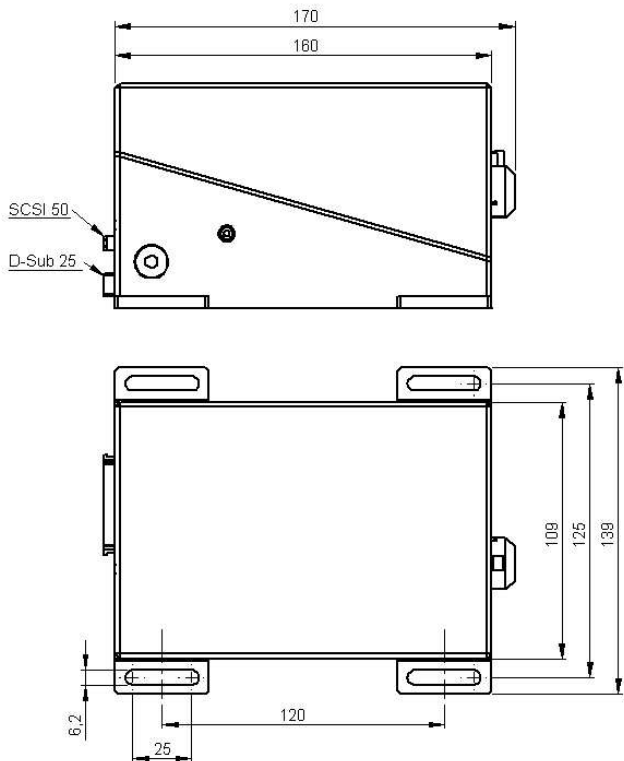


Specification for the Senza[®] 1064 nm Laser	
Output beam parameters:	
Output wavelength	1064 nm
Rated output power (CW)	500 mW & 1000 mW
Output beam diameter	0.7 mm (+/- 0.2) @ 10mm 1/e ²
Transverse mode structure	TEM ₀₀ , M ² < 1.05
Divergence	<1 mrad ½ angle
Beam pointing stability	≤ 10 µrad / °C
Longitudinal mode structure	SLM (Single frequency), <2MHz line width
Polarisation	Vertical
Polarisation ratio	≥ 100 : 1
Output power noise (p-p)	≤ 2 % (10 Hz - 2 MHz)
Output power noise (rms)	≤ 0.3 % (10 Hz - 2 MHz)
Output power stability	≤ 2 % (4 hours)
Design 01_03_0023	
Thermal management	TEC conductive cooling through customer's metal heat sink plate
Operating temperatures (base plate)	15 - 35 °C
Storage temperatures	10 - 50 °C
Laser head size (L x W x H)	170 x 139 x 96 mm
Laser head weight	2540g
Controller 04_01_01	
Dimensions (LxWxH)	175 x 104 x 45 mm
Weight	740 g
Accessories	
Power adapter	Standard AC/DC converter, 12 VDC, 140 W max with Mini-DIN 4 power connector
Cables	Included
Weight	1200 g

CW operation, turnkey system, output power fixed, completely aligned and sealed at production, no further alignment needed by user. Specification may be subject to some change without notice.

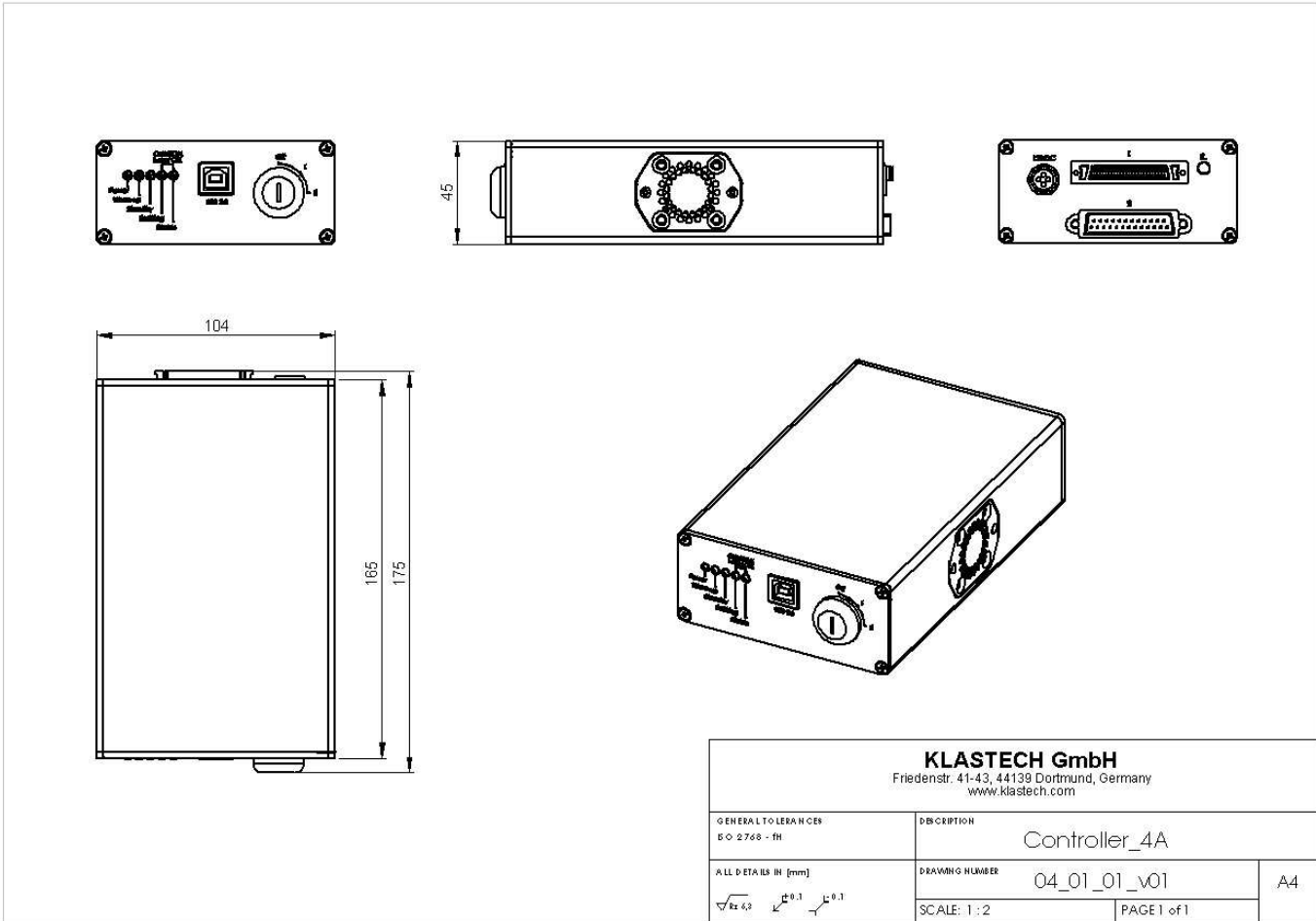
Schutzvermerk ISO 16016 beachten / Refer to protection notice ISO 16016



Schutzvermerk ISO 16016 beachten / Refer to protection notice ISO 16016

KLASTECH GmbH Friedenstr. 41-43, 44139 Dortmund, Germany www.klastech.com		
GENERAL TOLERANCES ISO 2768 - FH	DESCRIPTION Senza	
ALL DETAILS IN (mm) $\sqrt{Rz 6.3}$ $\sqrt{Ra 0.1}$ $\sqrt{L 0.1}$	DRAWING NUMBER 01_03_0023	A4
	SCALE: 1:2	PAGE 1 of 1

Schutzvermerk ISO 16016 beachten / Refer to protection notice ISO 16016



Schutzvermerk ISO 16016 beachten / Refer to protection notice ISO 16016

KLASTECH GmbH Friedenstr. 41-43, 44139 Dortmund, Germany www.klastech.com		
GENERAL TOLERANCES ISO 2768 - TH	DESCRIPTION Controller_4A	
ALL DIMENSIONS IN [mm] 	DRAWING NUMBER 04_01_01_v01	A4
	SCALE: 1 : 2	PAGE 1 of 1