

RSAM™ – resonant saturable absorber mirror

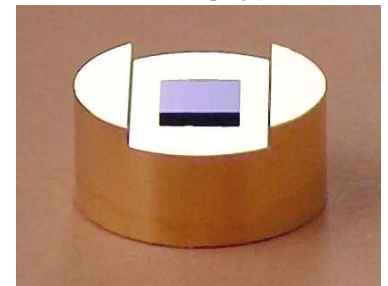
product overview

- for optical noise suppression or optical pulse cleaning after a pulse picker

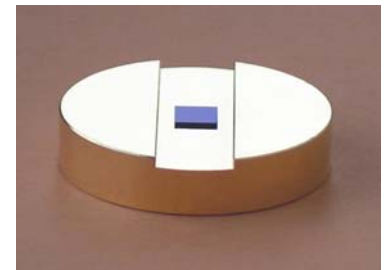
RSAM 980	laser wavelength	$\lambda = 980 \text{ nm}$
	absorptance	$A_0 \geq 99 \%$
	modulation depth	$\Delta R \sim 60 \%$
	relaxation time	$\tau \sim 1 \text{ ps}$
	saturation fluence	$\Phi_{\text{sat}} = 15 \mu\text{J}/\text{cm}^2$
RSAM 1064	laser wavelength	$\lambda = 1064 \text{ nm}$
	absorptance	$A_0 \geq 99 \%$
	modulation depth	$\Delta R \sim 60 \%$
	relaxation time	$\tau \sim 9 \text{ ps}$
	saturation fluence	$\Phi_{\text{sat}} = 15 \mu\text{J}/\text{cm}^2$
RSAM 1550	laser wavelength	$\lambda = 1550 \text{ nm}$
	absorptance	$A_0 \geq 96 \%$
	modulation depth	$\Delta R \sim 60 \%$
	relaxation time	$\tau \sim 10 \text{ ps}$
	saturation fluence	$\Phi_{\text{sat}} = 4 \mu\text{J}/\text{cm}^2$
	Chip area:	4 mm x 4 mm
	Chip thickness:	400 μm , semi – insulating GaAs
	Front side coating:	dielectric protection layer
	Mount:	<ul style="list-style-type: none"> ▪ unmounted ▪ 12.7 mm \varnothing ▪ 25.0 mm \varnothing ▪ 25.4 mm \varnothing ▪ fiber coupled (SMF, PM)

Other wavelengths and parameters on request.

mounting types



12.7 mm \varnothing - Cu-Mount with \varnothing 4 mm hole



25.0 mm / 25.4 mm \varnothing - Cu-Mount with \varnothing 4 mm hole

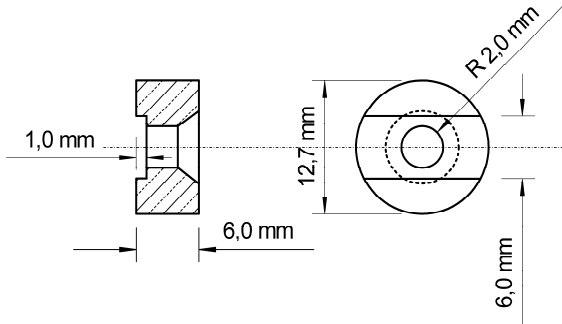


backside of 25.0 mm / 25.4 mm \varnothing - Cu-Mount with \varnothing 4 mm hole

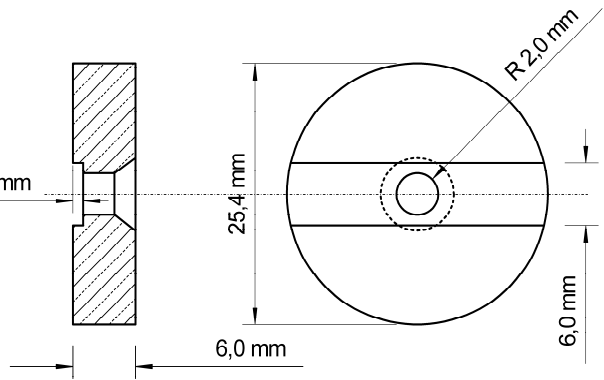


fiber coupled SOC

Cu-Mount \varnothing 12.7 mm with \varnothing 4 mm hole:

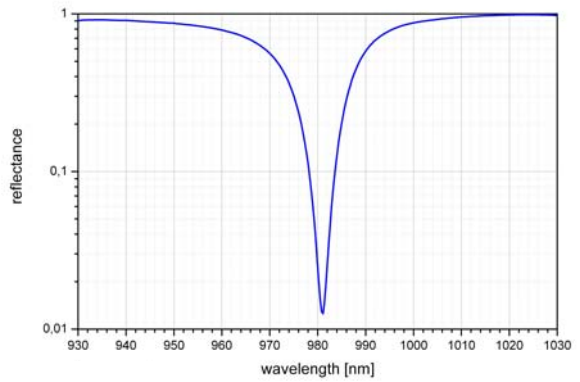
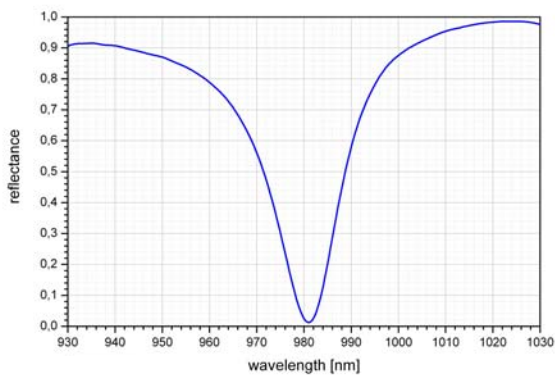


Cu-Mount \varnothing 25.4 mm with \varnothing 4 mm hole:

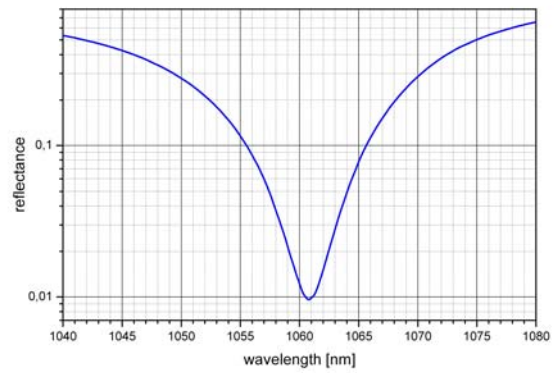
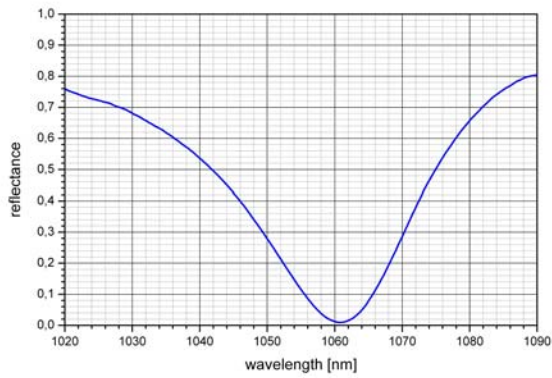


Spectral reflection / transmission:

RSAM 980-X



RSAM 1064-X



RSAM 1550-X

